

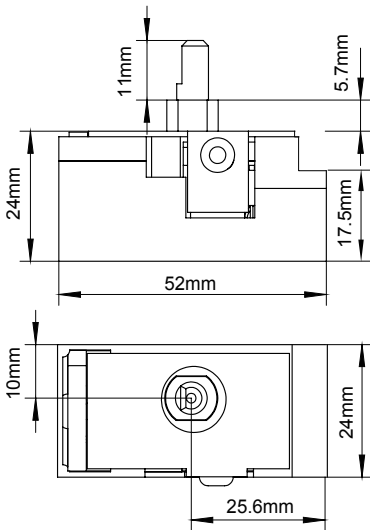
LEDDIM120: Programming Instructions



Overview

- The Niglon intelligent dimmer is programmable, to enable improved performance, when dimming modern lighting loads.
- **Use only on a supply voltage of 200-250V AC**

Dimensions



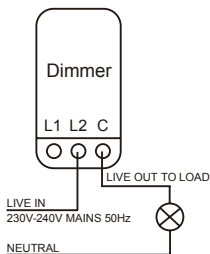
Features

- 3 Mode settings for improved compatibility
- Programmable for both trailing edge and leading edge
- Programmable minimum brightness level
- Compatible with LED, Halogen, Incandescent, CFL & GLS
- In-built overload protection
- 3 Year Warranty
- Compatible with most dimmer plates

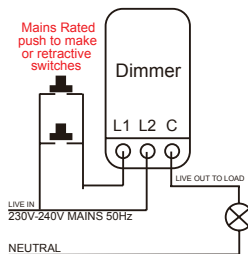
Maximum Loads

Lighting Type	Push on/off Dimmer
GLS	200W
Mains Halogen	150W
Low Voltage Halogen (Max. 10 transformers per gang)	150W
Eco Halogen	150W
Dimmable LED	1 to 10 LEDs (max. 120W)
Dimmable CFL	120 W

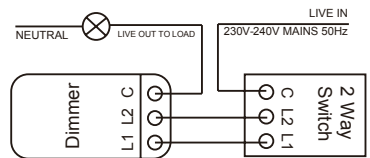
Wiring Diagrams



1 Way Dimming



2 or 3 Way Dimming



Dimmer Must Replace one of 2 Way Switch

This switch is not suitable for

- Non-dimmable Fluorescent lamps and tubes
- Wire-wound or toroidal transformers

Overload protection

If an overload occurs the dimmer will switch off. Once the overload has been removed the dimmer can be reset. Switch the dimmer off and then back on to reset.

Fitting your dimmer switch

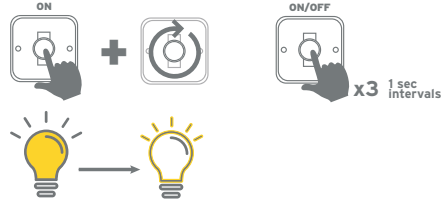
Incorrect installation may damage the dimmer beyond repair. In case of any doubt or difficulty consult a qualified electrician.

Dimmer configuration modes

- **Mode 1**, Trailing Edge (Factory Default Setting)
- **Mode 2**, Leading Edge
- **Mode 3**, Alternative Trailing Edge (May improve performance on some dimmable LED and CFLs)

Configuration Mode

- Step 1** - Switch the dimmer on and turn the knob fully clockwise
- Step 2** - Turn the light off and on three times at 1 second intervals
- Step 3** - The lights will dim down in brightness to confirm the dimmer is in configuration mode



Setting Mode 2

- Follow steps 1 - 3 above to enter configuration mode.
- Set to **Mode 2** by turning the dimmer fully anti clockwise (The lights will flash twice to confirm)



Setting Mode 3

- Follow steps 1 - 3 above to enter configuration mode.
- Set to **Mode 3** by turning the dimmer fully anti clockwise then fully clockwise (The lights will flash three times to confirm)



Reset to Factory Setting - Mode 1

- Follow steps 1 - 3 above to enter configuration mode.
- Set to **Mode 1** by turning the dimmer fully anti clockwise (The lights will flash once to confirm)



Minimum Brightness Setting

- Step 1** - Switch the dimmer on and turn the knob fully anti clockwise [See Figure 1]
- Step 2** - Turn the light off and on three times at 1 second intervals [See Figure 2]
- Step 3** - The lights will step up and down in brightness to confirm the dimmer is in configuration mode [See Figure 3]
- Step 4** - Within 2 seconds of step 3 turn the dimmer knob fully clockwise and then anti clockwise to the desired minimum brightness level. [See Figure 4] Leave for 5 seconds after which the lights will flash once to confirm the setting has been saved [See Figure 5]

