



### AiQ/DIM250/LL

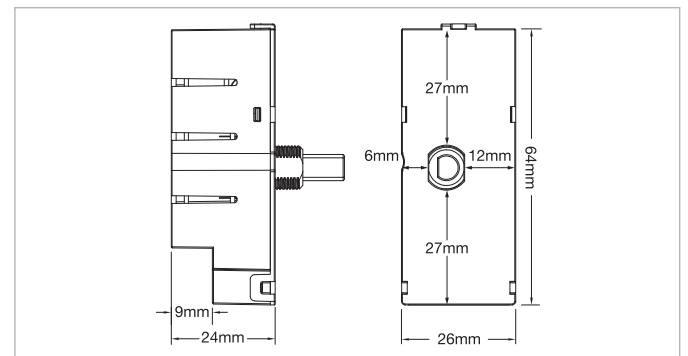
SMART-T

Smart LIVE/LIVE Rotary Zigbee Dimmer Module



### PRODUCT FEATURES

- LiLo Technology For Live-In & Live-Out Wiring
- Works With Existing Wiring
- Retrofit Solution
- 2 - Way Wiring Compatible Using A Retractive Switch
- User Friendly Reset & Programming
- Can Be Used Independently Or In Conjunction With A Smart Hub
- Can Be Used With Remote Control
- Can Be Used With Retractive Switch For 2 Way Control



### TECHNICAL SPECIFICATIONS

Product Code	AiQ/DIM250/LL
Operating Voltage (V)	220-240VAC
Operating Current (A)	1.14A
Capacity	5-250W (LED)
Minimum Load	5W
Output Current (max)	1.36A
PF	0.8
Efficiency %	80
Network Standby Power (W)	<0.5W
Class	II
Body Material	Polycarbonate
Frame Colour	White
Switching Cycles	>20,000 times
Ingress Protection	IP20
Ambient Operating Temperature (°C)	-10°C ~ 40°C
Input Frequency (Hz)	50Hz
Guarantee	2 Years
Dimming Mode (Trailing or Leading)	Trailing

