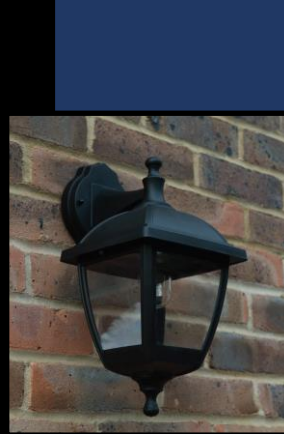


Bastia E27 Range

Lanterns



Product Information

The Bastia range of E27 lanterns consisting of 2 lanterns. The non PIR versions can be constructed as either upward or downward lanterns. The PIR versions can only be mounted as upward lanterns. Suitable for use in high saline coastal areas.

For use with E27 lamps up to and including 46W.

Complete with 1 year warranty.

Product Features

- 1 year warranty
- IP44
- Class II
- 46W E27 Max.
- Suitable for High Saline areas
- Dimmable (Lamp dependant)
- PIR versions available
- Non PIR versions can be constructed to be either an upward or downward lantern

Product Specification

Product Code	Product Description	Lamp Cap	Wattage Maximum (W)	PIR	Protection Class
KSR1510 BLK	Bastia E27 4 sided up/down Wall Lantern	E27	46	No	II
KSR1511 BLK	Bastia E27 4 sided upward Lantern with PIR Sensor	E27	46	Yes	II

Nominal voltage	220-240V
Operating frequency	50/60Hz
Lamp Supplied	No
IP Rating	IP44

PIR	
Detection Range	1-8m@2m mounting height
Detection Angle	120°
Detection Speed	0.6~1.5 m/sec
Time Setting	90 seconds from last trigger non-adjustable
Lux Setting	On <30 lux – Off >80 lux non-adjustable
Manual Override	Yes – Switch power off and on within 2 sec
Parasitic Power	<0.5W

Construction

Body: PP (Polypropylene)
Diffuser: PC (Polycarbonate)

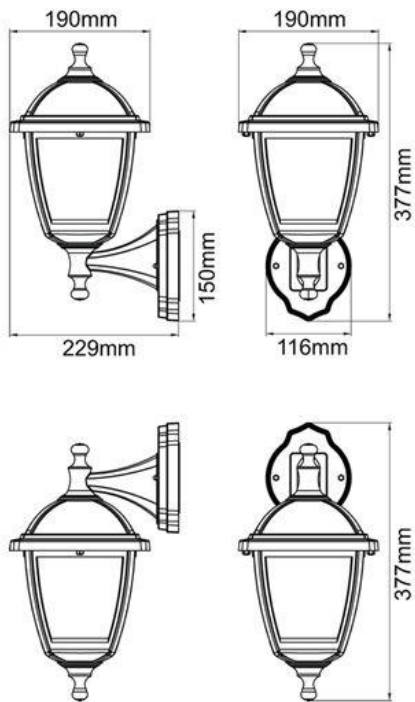
Standards

BSEN60598-1:2021 Luminaires – Part 1: General requirements and tests

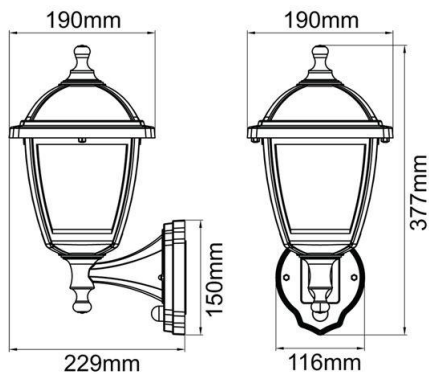
In Conformity with

LVD Low voltage directive 2014/35/EU
RoHS Restriction of hazardous substances 2015/863/EU

Product Dimensions



KSR1510



KSR1511

KSR Lighting is constantly developing and improving its products. For this reason, all product descriptions in this data sheet are intended as a general guide, and KSR may change specifications from time to time in the interest of product development, without prior notification or public announcement. All descriptions in this data sheet present only general particulars of the goods to which they refer and shall not form part of any contract. Data in this guide has been obtained in controlled experimental conditions. However, KSR Lighting cannot accept any liability arising from the reliance on such data to the extent permitted.