



Available finish: White

Read these instructions before commencing installation. Please give these instructions to the owner/occupier after installation to retain for future reference/maintenance.

IP20 UK CA CE 240VAC~50Hz 1.2W

These fittings are Class II and do not require to be Earthed

Important Information

It is recommended that these luminaires are installed and fitted by a qualified electrician ensuring the installation complies with current IEE wiring regulations & local building control. These products are designed for connection to a 240V~50Hz supply. Any faulty, broken or damaged luminaires should be replaced immediately. KSR will not accept responsibility for any claims arising from a poor installation. Please Note: The limited warranty shall be deemed null and void in the following circumstances: Failure by the installer, end user or any third party to exercise caution to protect any covered product or part from outside damage, adverse temperature, humidity conditions, fluctuations in the electrical system or physical abuse as well as failure related to workmanship in the installation of the products or parts.

Important User Advice

Always switch off mains supply before servicing. This luminaire is suitable for indoor use only and should not be fitted to damp or wet surfaces such as freshly plastered or painted walls. Do not use Megger or similar high voltage instruments. Due to the fact this luminaire contains electronic components that maybe damaged by high test voltages, they must be disconnected from the circuit before testing. To prevent damage to the driver, do not mix with conventional magnetic ballasts on the same electrical circuit. At the end of life the luminaire is classed as WEEE under directive 2014/30/EU and should be disposed of in accordance with local legislation. Please note these luminaires are non-dimmable.

Installation Procedure

KSR recommends that you familiarise yourself with the installation. Once you are completely satisfied: Safely isolate the mains supply. Locate the area's suitable to install these luminaires.

Stud Wall Installation (Fig. 1):

For stud wall applications the steel mesh plate is not required and can be discarded. To install in wall board cut a 75mm high x 66mm wide hole in the wall board. Connect the mains 240V~50Hz supply into the primary input of the driver please note the input is polarity free. Hold back the spring clips and slot the fitting into the wall, release and allow the springs to pull the fitting back into place. Turn on the power and test the luminaire.

Solid Wall Installation (Fig. 2):

For solid wall installations cut or construct a 80mm high x 70mm wide x 55mm minimum depth hole, secure the mesh plate centrally over the opening and either plaster or render over the plate, allow to fully dry before installing the luminaire. Connect the mains 240V~50Hz supply into the primary input of the driver please note the input is polarity free. Hold back the springs and feed the fitting into the opening until the luminaire is back against the wall. Turn on the power and test the luminaire.

Fig. 2

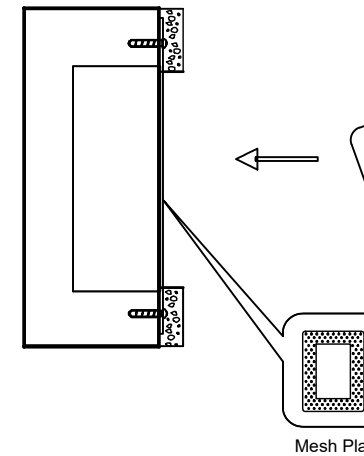
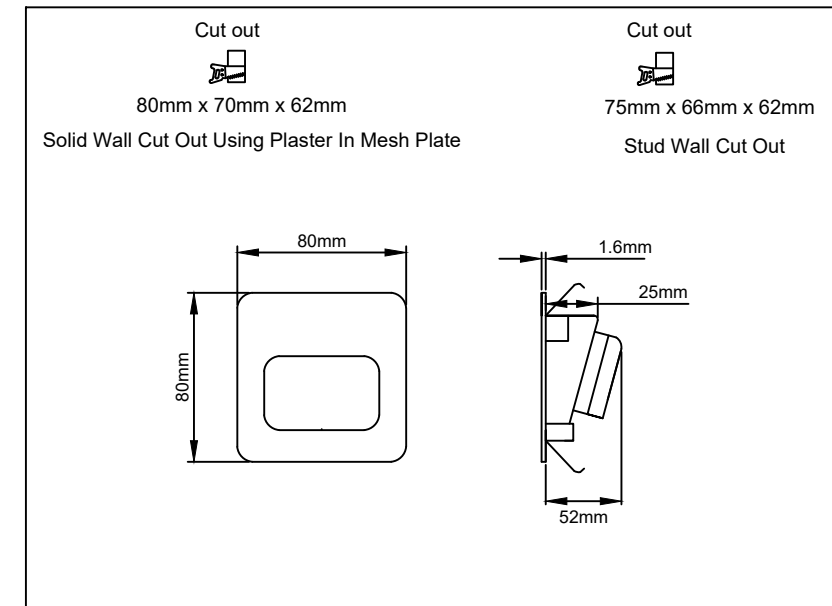
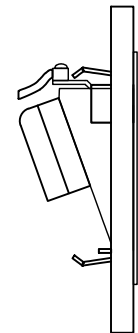


Fig. 1



LED Lamp Details

KSR7264 - 1.2W Integral LED Module
 Colour: 2700K Warm White
 Dimmable: No

KSR Lighting Aftersales: 023 92 674343
 E-mail: aftersales@ksrlighting.com

*This product contains a light source of energy efficiency class F
 The LED light source and Control Gear in this product can be replaced by a professional.*

