

Foro Recessed Wall lights

Residential Lighting



Product Information

The Foro recessed Spotlights are perfect for accent lighting and give a contemporary look to any stairs.

These fittings are ideally suited for residential applications and domestic applications.

Product Features

- 2 year warranty
- Complete with Driver
- Available in to outputs 1.2w and 3.5w
- Class II
- 2700K as standard
- CRI: Ra82
- L70 – 30,000hrs

Product Specification

Product Code	Product Description	Wattage (W)	CCT (K)	CRI (Ra)	Lumens (lm)	Protection Class
KSR7264	Foro Small 1.2w LED Recessed Wall Light	1.2w	2700	82	40	II
KSR7265	Foro Large 3.5w LED Recessed Wall Light	3.5w	2700	82	125	II

Technical Data	Foro Small	Foro Large
Nominal voltage	220~240VAC	220~240VAC
Operating frequency	50/60Hz	50/60Hz
Circuit Wattage	1.8w including driver losses	3.5w
Circuit Current	0.02A	0.02
Driver Current Rating	350	350
PFC	0.37	0.37
In Rush Current	0.341A Max Peak	0.369A Max Peak
Ambient temperature range	-10°C to +30°C	-10°C to +30°C
IP rating	20	20

Construction

Body: Aluminium

Standards

BSEN60598-1:2021 Luminaires – Part 1: General requirements and tests

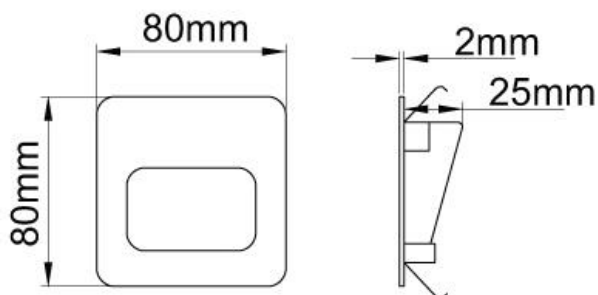
In Conformity with

LVD Low voltage directive 2014/35/EU
EMC Electromagnetic compatibility directive 2014/30/EU
ERP Energy related products directive 2019/2020/EC
RoHS Restriction of hazardous substances 2015/863/EU

Product Dimensions

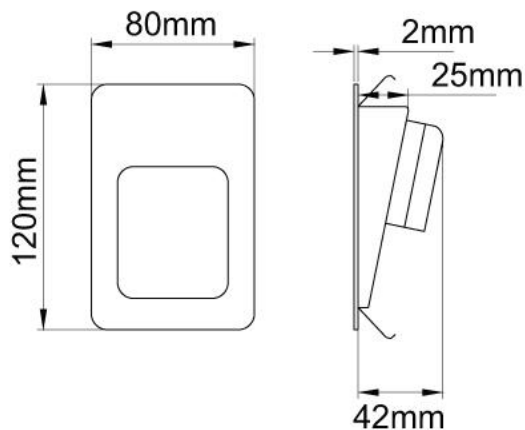
KSR7264

 70mm x 66mm



KSR7265

 113mm x 66mm



KSR Lighting is constantly developing and improving its products. For this reason, all product descriptions in this data sheet are intended as a general guide, and KSR may change specifications from time to time in the interest of product development, without prior notification or public announcement. All descriptions in this data sheet present only general particulars of the goods to which they refer and shall not form part of any contract. Data in this guide has been obtained in controlled experimental conditions. However, KSR Lighting cannot accept any liability arising from the reliance on such data to the extent permitted.