

# Morini 240V LED Cabinet lights

*Cabinet / Display Lighting*



## Product Information

Our 240V LED Cabinet / Undershef lights are ideal for a multitude of lighting applications where display or accent lighting is required. Round version can be surface mounted or recessed and all versions are complete with 1 metre of 2 core cable.

This range is well suited to residential and domestic as well as commercial applications.



## Product Features

- 3-year warranty
- Class II
- IP20
- 2.5W
- Up to 260 Lumens
- 3 Switchable Colour Temperatures 3000K/4000K/6000K
- Available in Black, White or Satin Chrome finishes
- 240V Supply – No driver required
- Non-dimmable
- Round or Triangle Fitting Option
- Round version can be surface mounted or recessed as standard

# Product Specification

Product Code	Product Description	Wattage (W)	CCT (K)	CRI (Ra)	Lumens (lm)	Protection Class
KSRL205BLK	Morini Recessed / Surface 2.5W 3CCT Round Cabinet Light Black (55mm Dia cut-out)	2.5	3000	80	245	II
			4000	84	260	
			6000	82	255	
KSRL205SC	Morini Recessed / Surface 2.5W 3CCT Round Cabinet Light Satin Chrome (55mm Dia cut-out)	2.5	3000	80	245	II
			4000	84	260	
			6000	82	255	
KSRL205WH	Morini Recessed / Surface 2.5W 3CCT Round Cabinet Light White (55mm Dia cut-out)	2.5	3000	80	245	II
			4000	84	260	
			6000	82	255	
KSRL206BLK	Morini 2.5W 3CCT Triangle Cabinet Light Black	2.5	3000	80	245	II
			4000	84	260	
			6000	82	255	
KSRL206SC	Morini 2.5W 3CCT Triangle Cabinet Light Satin Chrome	2.5	3000	80	245	II
			4000	84	260	
			6000	82	255	
KSRL206WH	Morini 2.5W 3CCT Triangle Cabinet Light White	2.5	3000	80	245	II
			4000	84	260	
			6000	82	255	

Nominal voltage	220~240VAC
Operating frequency	50Hz
Circuit Wattage	2.5w
Circuit Current	0.01 A
Driver Current Rating	N/A
PFC	0.94
In Rush Current	TBC
Ambient temperature range	0°C to +30°C
IP rating	20

## Construction

Body: Polycarbonate  
 Diffuser: Frosted Polycarbonate

## Standards

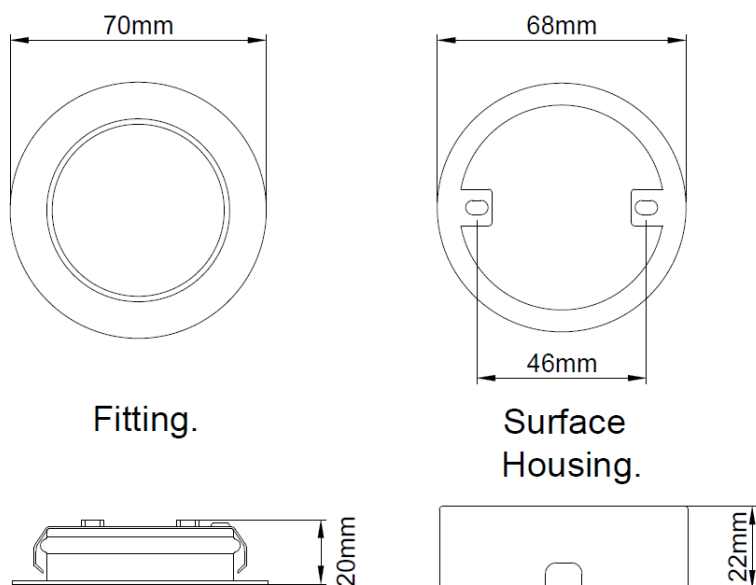
BSEN60598-1:2021      Luminaires – Part 1: General requirements and tests

## In Conformity with

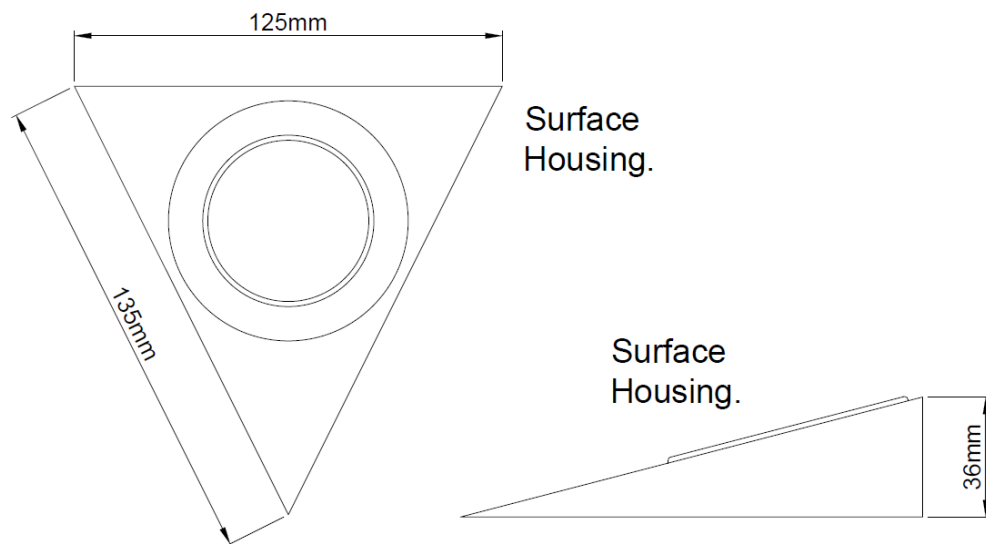
LVD      Low voltage directive 2014/35/EU  
 EMC      Electromagnetic compatibility directive 2014/30/EU  
 ERP      Energy related products directive 2019/2020/EU  
 RoHS      Restriction of hazardous substances 2015/863/EU

# Product Dimensions

## KSRCL205 - Dimensions



## KSRCL206 - Dimensions



KSR Lighting is constantly developing and improving its products. For this reason, all product descriptions in this data sheet are intended as a general guide, and KSR may change specifications from time to time in the interest of product development, without prior notification or public announcement. All descriptions in this data sheet present only general particulars of the goods to which they refer and shall not form part of any contract. Data in this guide has been obtained in controlled experimental conditions. However, KSR Lighting cannot accept any liability arising from the reliance on such data to the extent permitted.