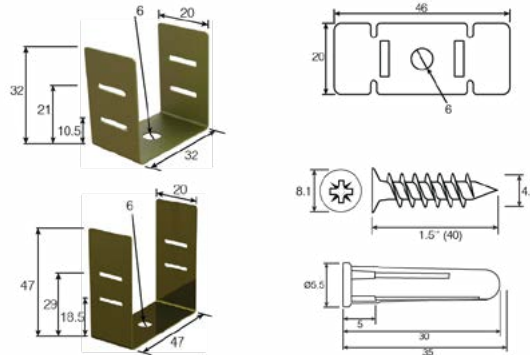


Product Code: QTT9

Description: Trade Tub - 3 Sizes of Fire-Safe Cable Clips, 100 x Red Wall Plugs & 100 x 8 x 1.5" CSK Screws



Component Information

70 x Fire-Safe Cable Clips: 25mm	20 x Fire-Safe Cable Clips: 40mm	10 x Fire-Safe Cable Clips: 50mm
Trunking Width (mm): 25	Trunking Width (mm): 32 to 40	Trunking Width (mm): 50
Width (mm): 20	Maximum Fold Height (mm): 20	Maximum Fold Height (mm): 30
Fixing Diameter (mm): 6	Width (mm): 20	Width (mm): 20
Fire Rating: 120 Minutes (2 Hours)	Fixing Diameter (mm): 6	Fixing Diameter (mm): 6
Material Yield Temperature: 1000°C	Fire Rating: 120 Minutes (2 Hours)	Fire Rating: 120 Minutes (2 Hours)
	Material Yield Temperature: 1000°C	Material Yield Temperature: 1000°C

400 x Countersunk Screws	400 x Wall Plugs
Size: Gauge 8 x 1.5"	Drill Size (mm): 5.5 to 6
Head: Pozid Countersunk	Minimum Drill Depth (mm): 35
Driver Bit Size: No. 2	Maximum Fixture Depth (mm): 5
Head Diameter (mm): 8.1	

Additional Information

Fire Safe Cable Clips are non-corrosive annealed steel cable clips that have been designed to secure all surface cables directly to the wall, with the easy fold tabs keeping cable secure
 When used with appropriate fixings, the Fire Safe Cable Clips can securely hold cables on a surface at 930°C (+40° - 0°) for at least 2 hours
 During this testing procedure, the cable was simultaneously exposed to a flame at the aforementioned temperature and mechanical shock for 60 minutes, followed by simultaneous exposure to water spray and mechanical shock for a further 60 minutes

Standards

BS 5839-1:2013 (Section 26.2e)
 BS 8434-2 :2003
 BS EN 50200:2006 PH120

